

EUROVAC II - HOUSEKEEPING PORTABLE

Keep your facility clean with a Eurovac portable vacuum system

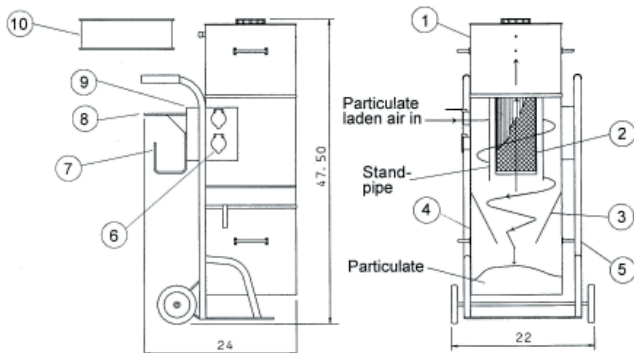


PRODUCT DESCRIPTION

- Powerful 2.5HP, 1440 watt pump produces 110" of water column; 103 free flow CFM.
- Quiet operation particularly for fine dust... motor housing is insulated and baffled for sound.
- Superior filtration ... combination true cyclonic filtration plus secondary cartridge filter, a standpipe surrounding the cartridge filter does not allow the particulate air entering the inlets to go directly to the cartridge filter. The standpipe forces the air to move down the canister to the cyclone where 85% of the particulate is removed before the secondary cartridge filter (see diagram below). This results in the unit operating much more efficiently than units which do not have true cyclonic filtration.
- HEPA filtration is available by adding a canister between the pump and regular filters. The HEPA filter removes the remaining 99.97% of sanding dust to a minimum of .3 micron particle.



A complete range of cleaning accessories including cleaning kits, hoses, overhead tools, brushes and crevice tools



SPECIFICATIONS

- Motor:** 1440 Watts, 120V, 16,475 RPM, 110" of Water Column, 103 CFM
- Cartridge Filter**
- Cyclone**
- Waste Pail**

- Frame**
- Vacuum Stations (2)**
- Hose Hanger**
- Storage Tray**
- Switch:** Complete with Overload Protection
- HEPA Filter:** Optional

Specialists in Dust and Fume
Extraction Systems

CANADA Toll Free 800-265-3878
Fax 905-738-4603
Web www.eurovac.com

USA Ph. 800-265-3878
Fax 905-738-4603
Web www.eurovac.com

116 Buttermill Ave, Concord, ON L4K 3X7

6295 Lear Nagle, Suite C, North Ridgeville, OH 44039