

## “ROLLOUT” PORTABLE FUME EXTRACTOR



SYS-070-45106100

Eurovac’s Rollout portable fume extractor is designed to capture and filter dry impurities created during welding, grinding and the cutting of metals.

- Meets OSHA air quality standards and increases health and safety standards by minimizing hazards that cause respiratory ailments
- Standard arm measures 6” in diameter and fully extends to 10-feet. Other sizes also available on request.
- 700 CFM at hood for powerful performance
- Excellent three-stage filtration: aluminum mesh pre-filter, second polyester cartridge filters and final carbon after filter. Manual pulse jet cleaning comes standard and optional HEPA upgrade available.
- Unit reduces facility maintenance costs by eliminating smoke and dust before particles to settle on equipment and work surfaces

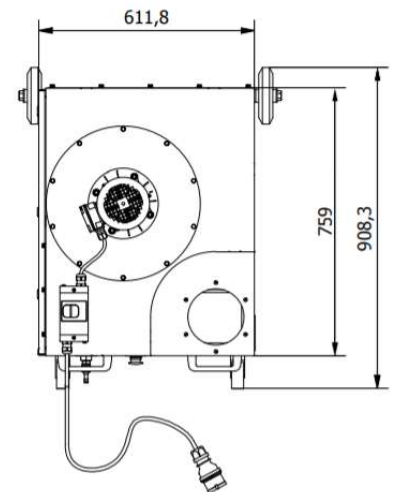
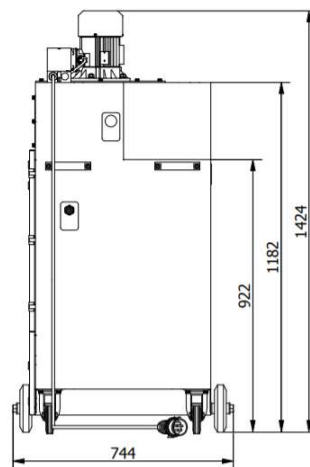
### Applications:



### Technical Data:

Specifications	
Voltage	1 Phase 60Hz*
Power	115 volts
Current Draw	15 amps
Airflow	700 cfm
Weight	320 lbs.
Sound Level @ 8'	69 dB(A)
Filter Area	226 ft <sup>2</sup>
Filter Efficiency	99.93% @ 3 microns
HEPA (optional)	99.97% @ 0.3 microns
Height	55 inches
Width	30 inches
Depth	35 inches

\*50Hz available on request



For more information, contact Eurovac:

CANADA and USA  
Toll-Free 800-265-3878 / Fax 416-744-8079  
info@eurovac.com

44 Milvan Dr., North York, ON M9L 1Z3  
5927 Center Rd, Unit 3, Valley City, OH 44039