

“GIANT” PORTABLE FUME EXTRACTOR



SYS-070-45518100

Eurovac's portable fume extractor "Giant" is designed to capture and filter dry impurities created during welding, grinding and the cutting of metals.

- Meets OSHA air quality standards and increases health and safety standards by minimizing hazards that cause respiratory ailments
- Available with two arm options: 1 x 8-inch arm or 2 x 6-inch arms. Self supporting joints and flexible hoses for easy placement with smooth bore tubing for unimpeded air movement
- 1200 CFM at hood for powerful performance
- Excellent three-stage filtration: aluminum mesh pre-filter, second polyester cartridge filters and final carbon after filter. Manual pulse jet cleaning comes standard and optional HEPA upgrade available.
- Unit reduces facility maintenance costs by eliminating smoke and dust before particles to settle on equipment and work surfaces

Applications:

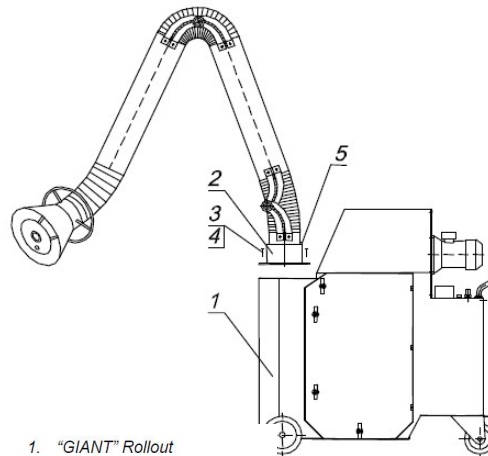


Welding

Technical Data:

Specifications	
Voltage	3 Phase 60Hz*
Power	208-240, 460 & 575 volts
Current Draw	11 amps
Airflow	1200 cfm
Weight	430 lbs.
Sound Level @ 10'	85 dB(A)
Filter Area	452 ft ²
Filter Efficiency	99.93% @ 3 microns
HEPA (optional)	99.97% @ 0.3 microns
Height	51 inches
Width	37 inches
Depth	48 inches

*50Hz available on request



1. "GIANT" Rollout
2. Arm socket
3. Bolt M8x25 (for 2030P arm)
4. Spring washer 8.2
5. Turning limit

Optional Dual Arm



For more information, contact Eurovac:

CANADA and USA
Toll-Free 800-265-3878 / Fax 416-744-8079
info@eurovac.com

44 Milvan Dr., North York, ON M9L 1Z3
5927 Center Rd, Unit 3, Valley City, OH 44039